

GIGA-LAN

Smartere datakabling fra ende til anden

UTP RJ45 Keystone Jack Kategori 6



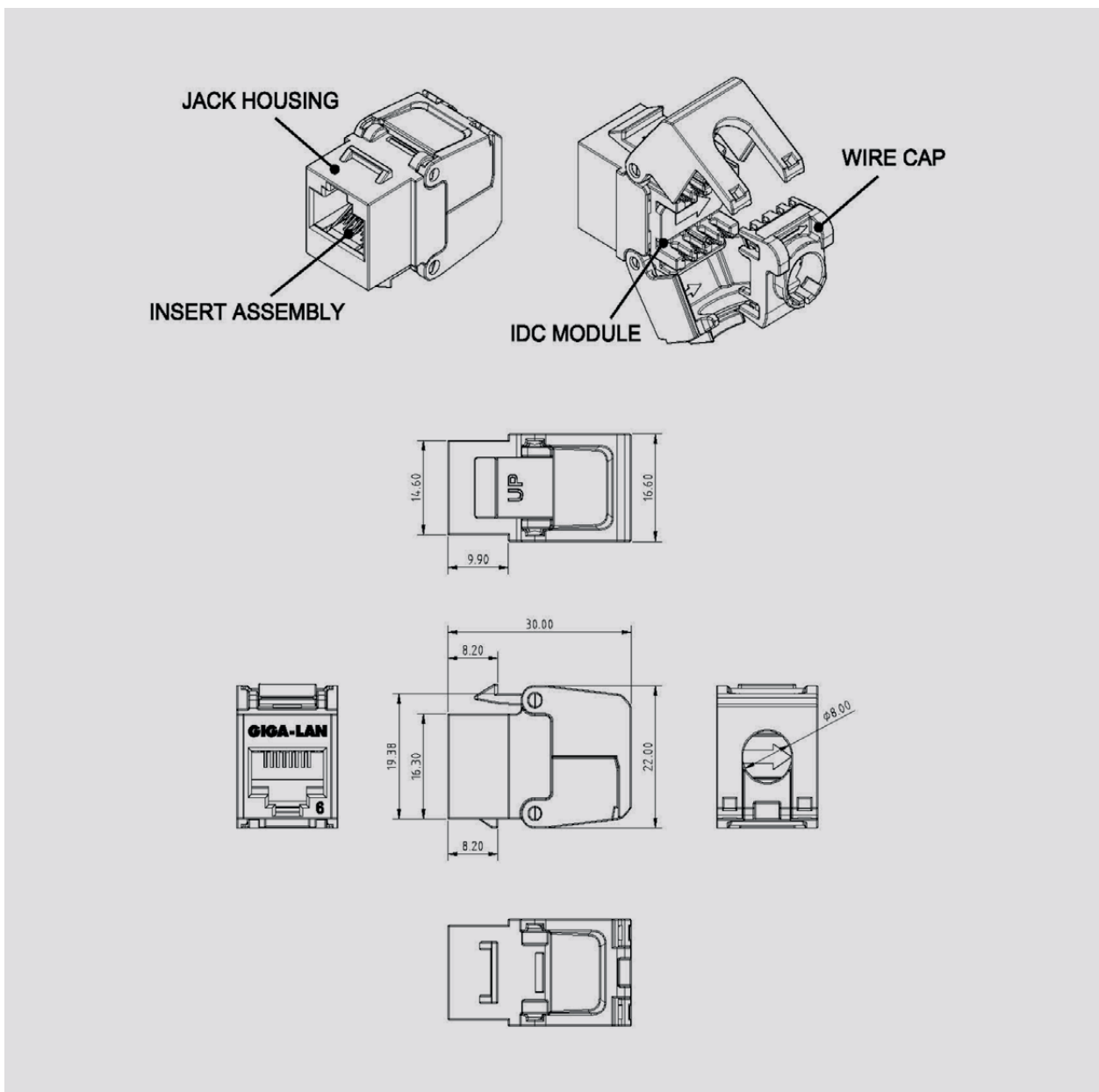
Anvendelse

GIGA-LAN Kategori 6 a UTP Flip Jack monteres i Patch Panel samt udtag i GIGA-LAN data installationer. Smart lille design sørger for hurtig terminering uden brug af speciel værktøj. Mindste Keystone design sørger for ekstra plads i udtag.

Specifikation

Kategori: 6 UTP
Frekvens: 250 Mhz
Protokol: 1 Gbps Ethernet
Type: Keystone
Farve hus: Sort
Farve front: Hvid
Component Compliant
Fabrikat: GIGA-LAN
Pakning: 1 stk

UTP RJ45 Keystone Jack Kategori 6



UTP RJ45 Keystone Jack Kategori 6

Transmission performance

Meet all requirements specified in connecting hardware requirement of:

ANSI/TIA-568-C.2 / ISO11801 Cat.6

Mechanical

Insertion / Extraction Life : 750 Cycles Minimum IDC

Wire Gauge 22 ~ 24 AWG

Electrical

Electrical Insulation Resistance : 500 MO min. @ 1 00V d.c

Dielectric Withstanding Voltage: 1000V d.c. or a.c. Peak Contact to Contact @ 60Hz for 1 minute

Physical

Housing High-Impact, Flame-Retardant Plastic, UL 94V-0

Spring Wire : Phosphor Bronze Alloy Plated With 50 micro-inch of Gold

IDC : Phosphor Bronze Alloy With 100 micro-inch 100% Sn Alloy

Item	Part name	Q'TY
4	Wire cap	1
3	Idc module	1
2	Insert assembly	1
1	Jack housing	1