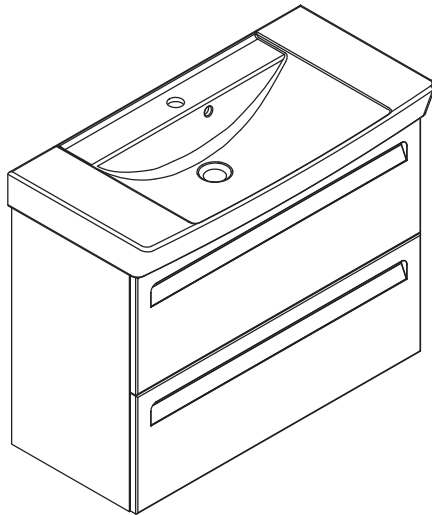
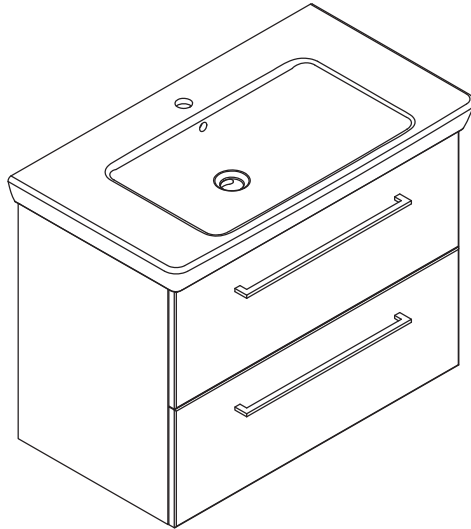




DANSANI®

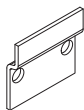


8x



5-500

2x



30010190

8x



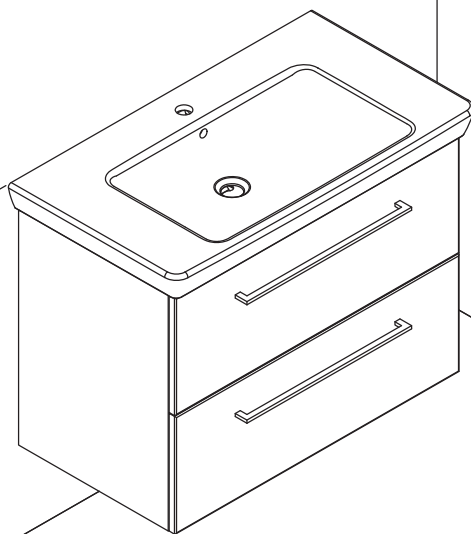
5,0-60SU

8x

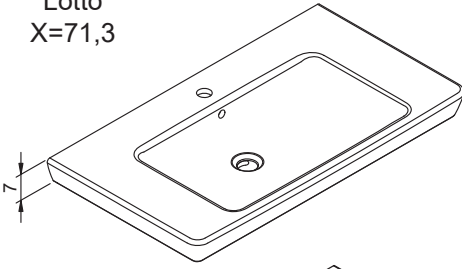


195000000

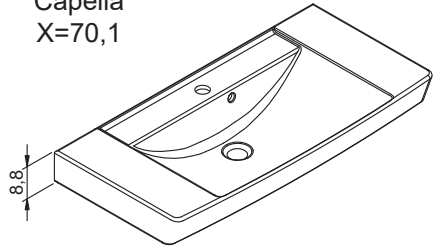
87



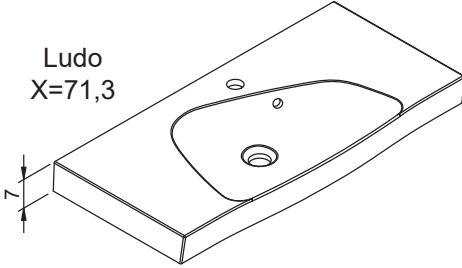
Lotto
X=71,3



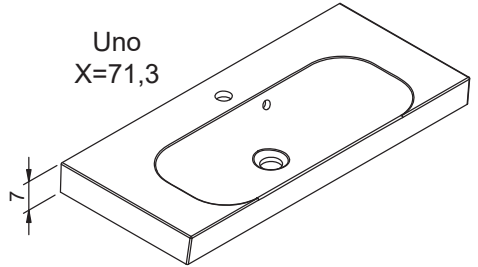
Capella
X=70,1



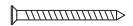
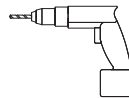
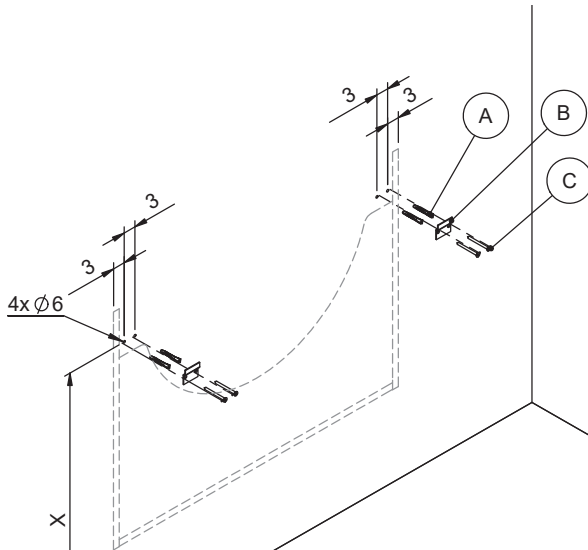
Ludo
X=71,3



Uno
X=71,3



1



4x

5-500

(A)

2x

30010190

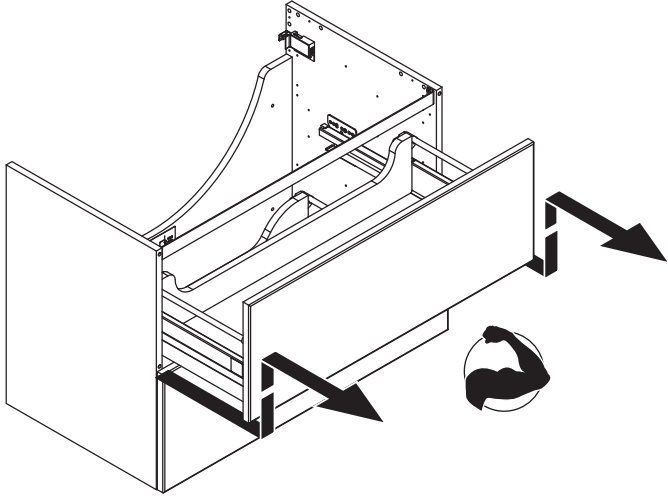
(B)

4x

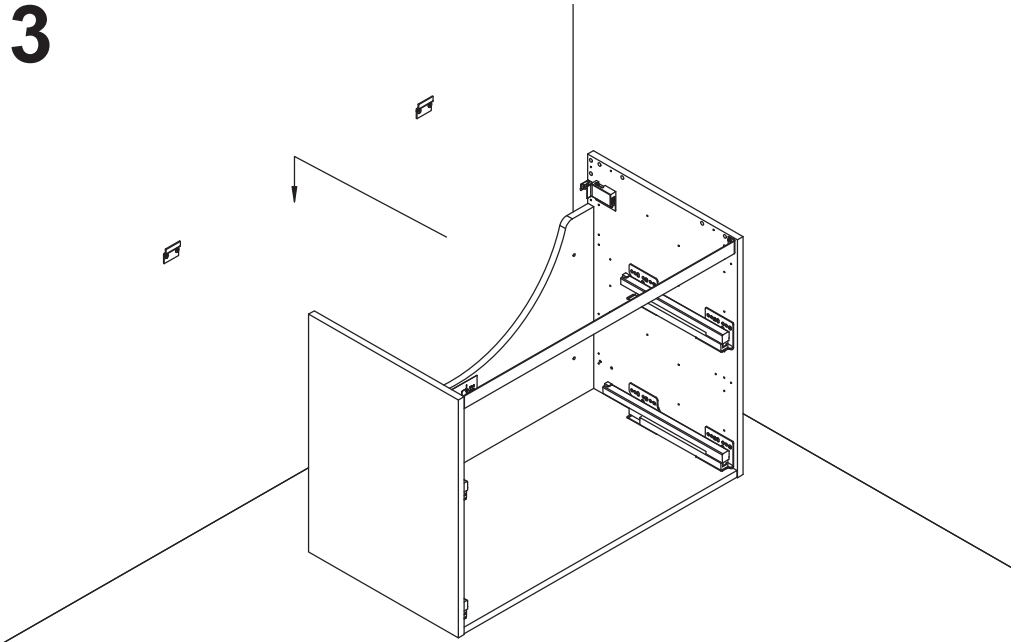
5,0-60SU

(C)

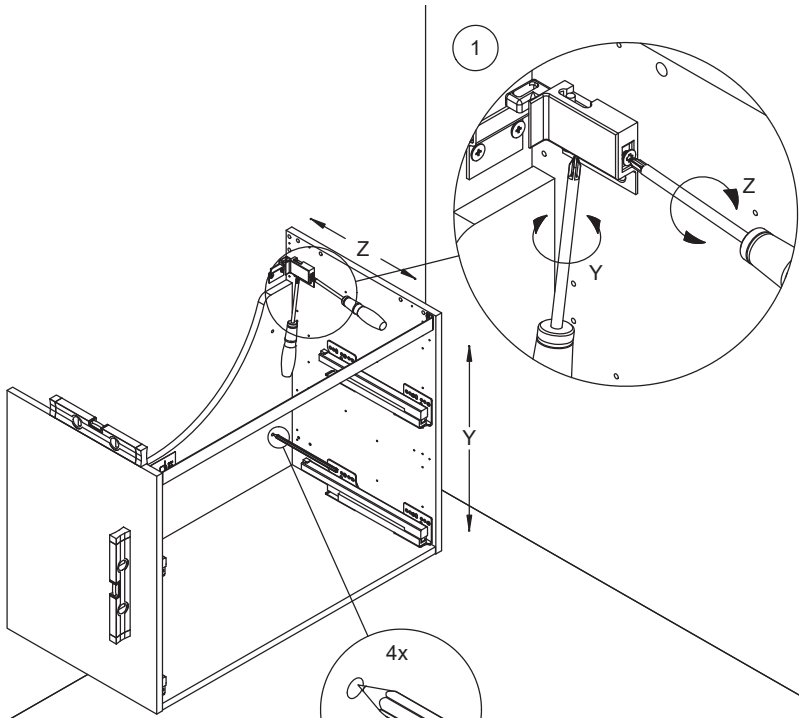
2



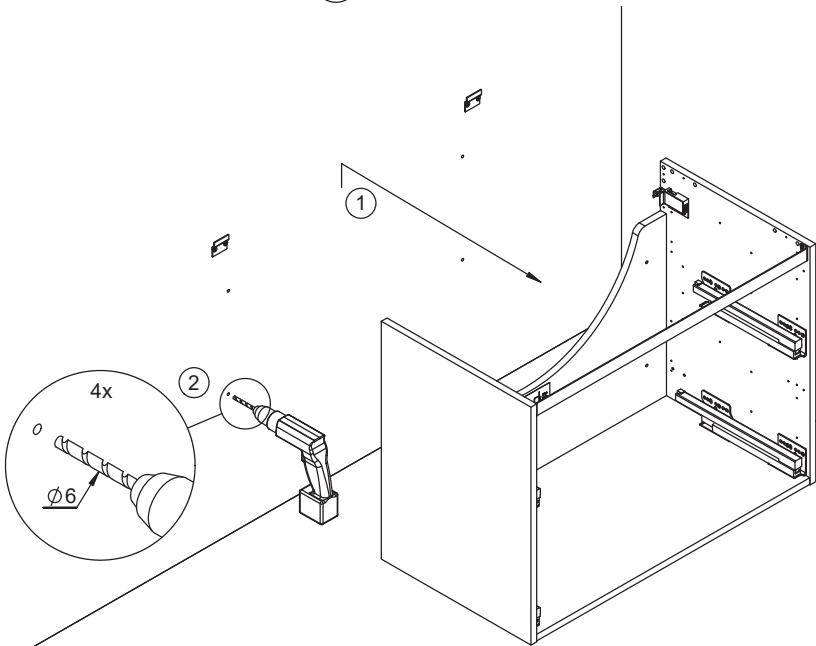
3



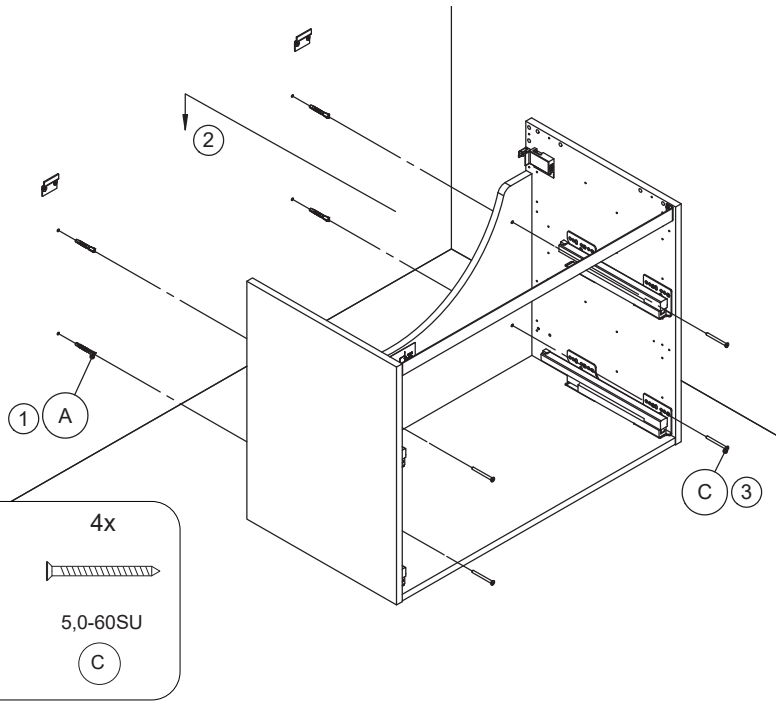
4



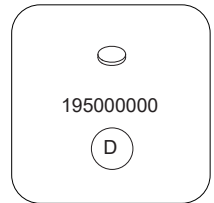
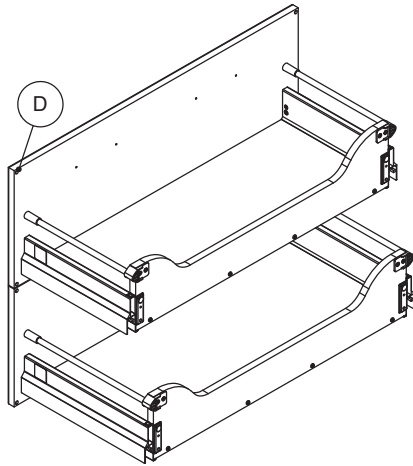
5

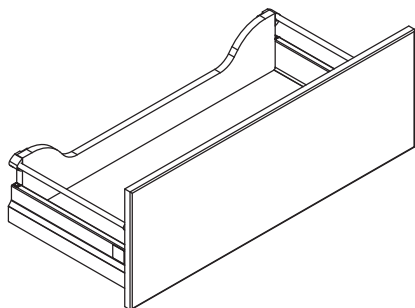


6

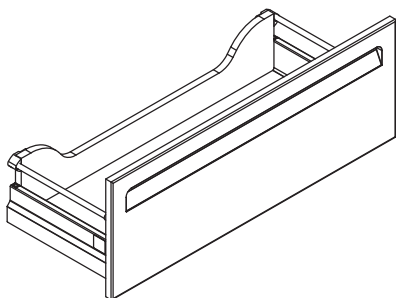


7



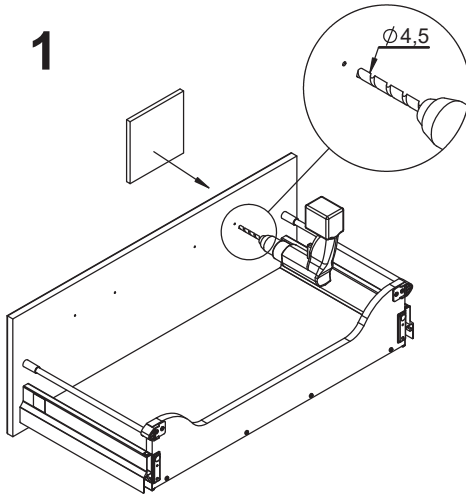


8

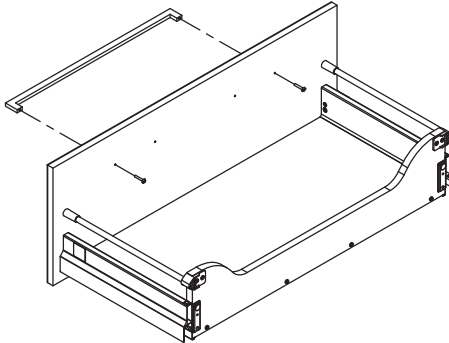


9

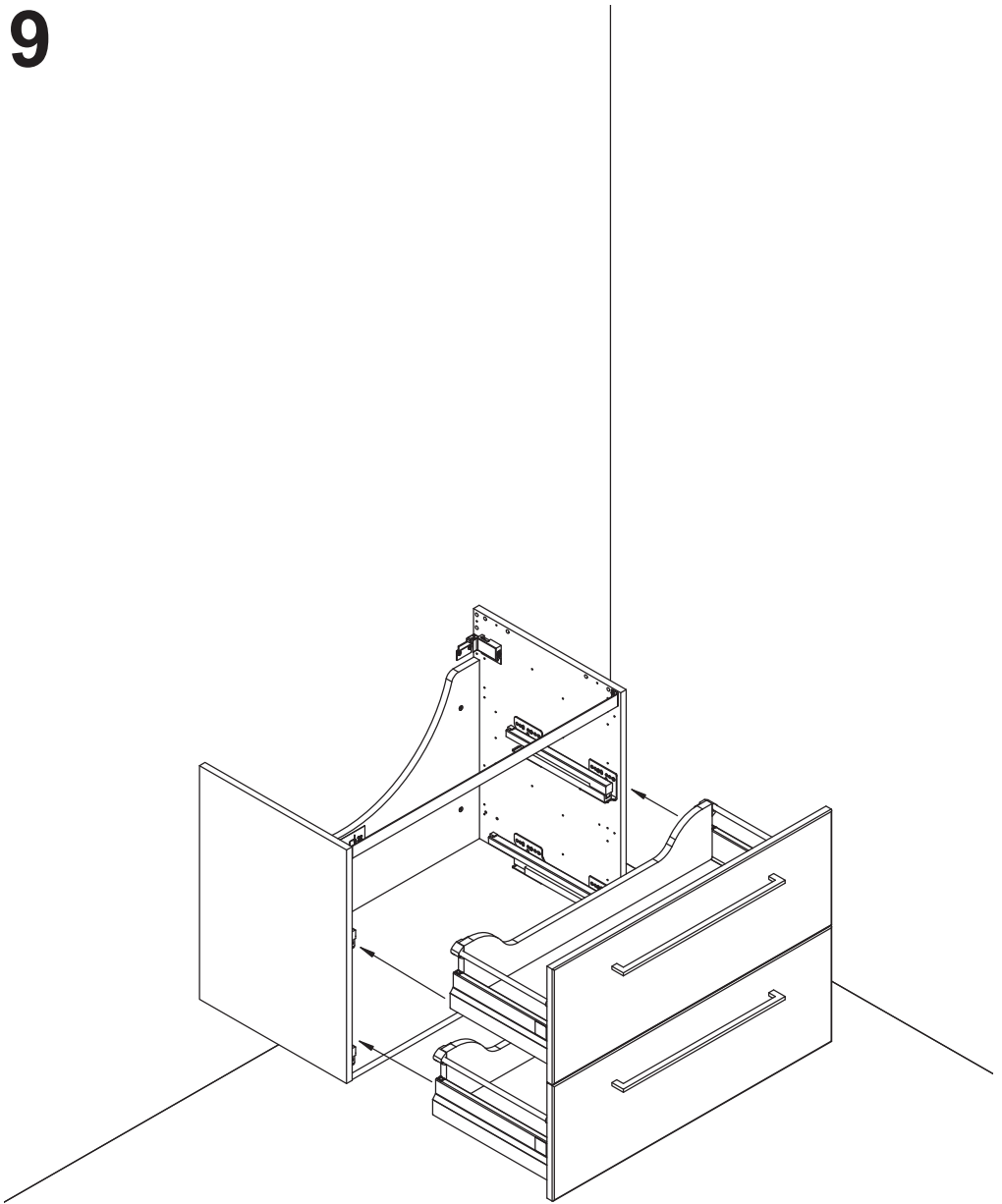
1



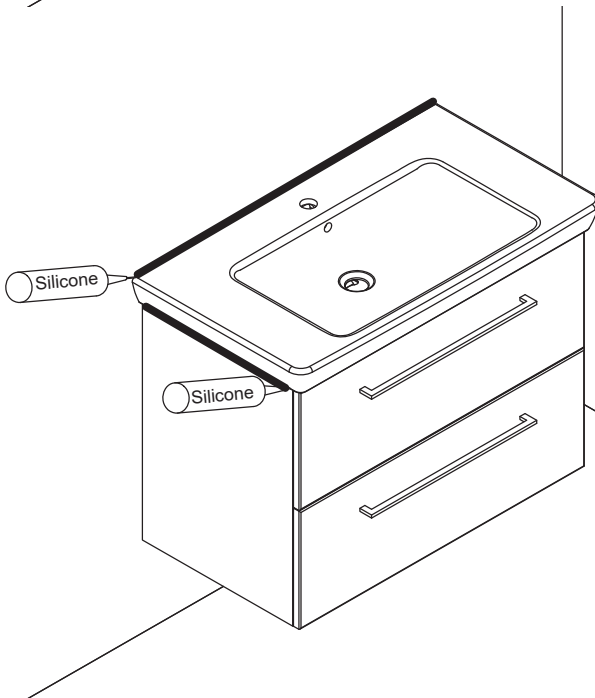
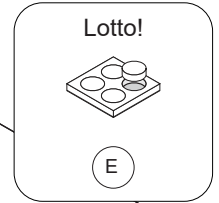
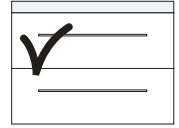
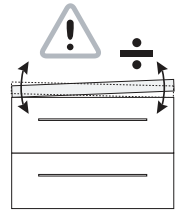
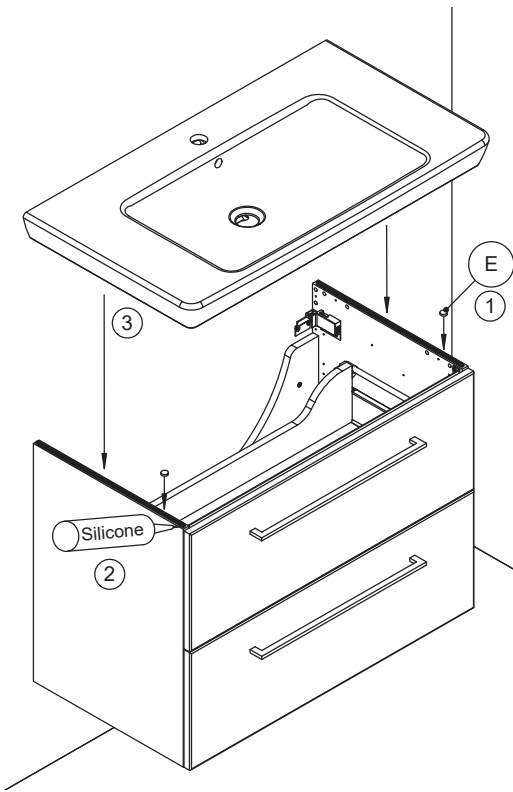
2



9



10



11

