

Back door with 75% ventilation rate.



Practical handle with lock

Standard:

Complies with ANSI/EIA, RS-310-D, IEC297-2, DIN41494:PART1, DIN41494:PART7, GB/T3047.2-92 and ETSI standard.

Front and rear door feature:

Toughened glass front door with oval vented door border.

Hexagonal reticular high-density vented rear door.

75% ventilation rate.

Front & rear doors are free solder reinforcement structure.

Material:

Mounting profile and mounting angle are made of fingerprint resistant aluminum zinc plate.

The rest are made of SPCC cold rolled steel.

Thickness: mounting profile 2.0mm, mounting angle 1.5mm, others 1.2mm.

Surface finish:

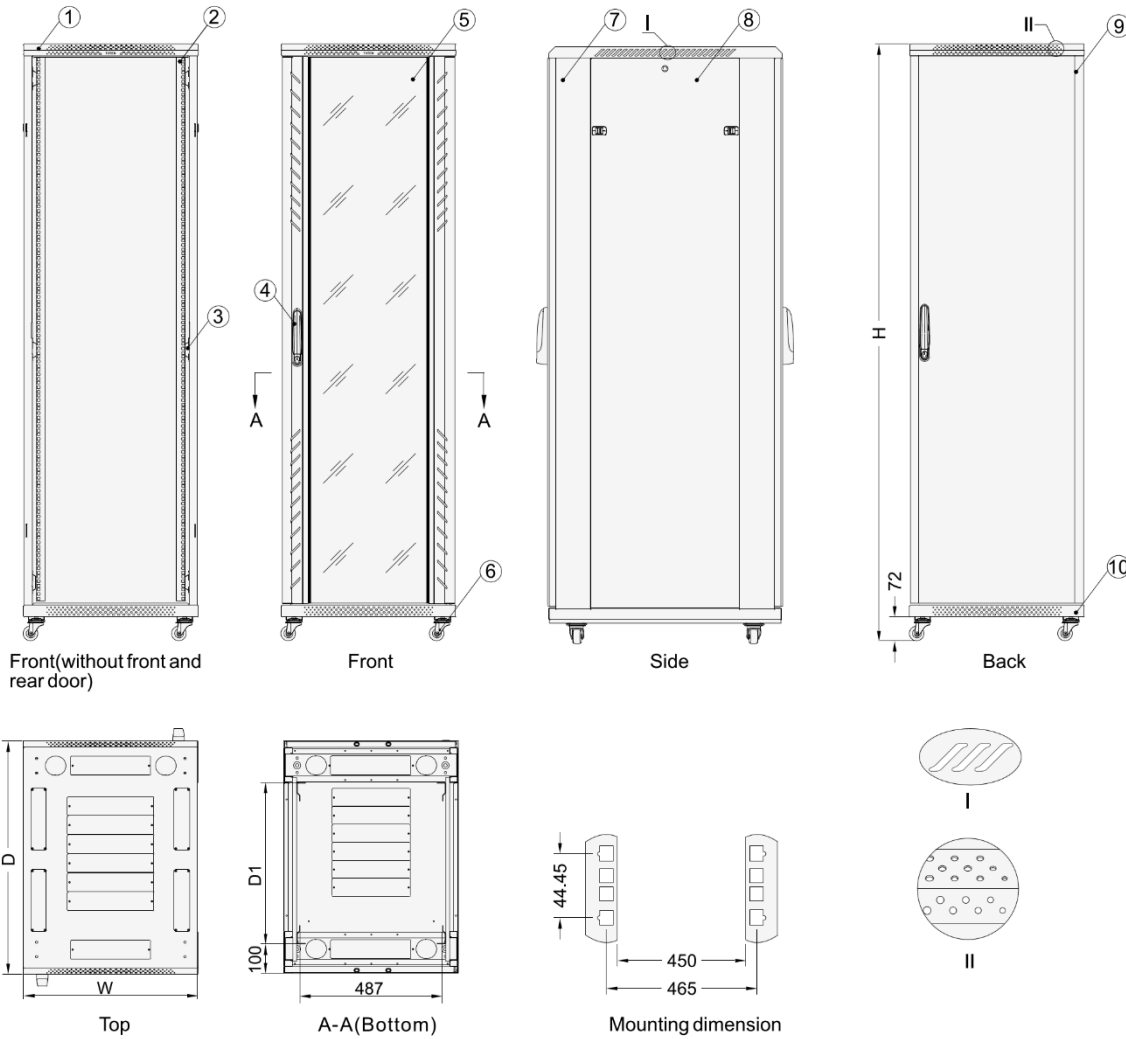
Degreasing, Vitrification, power coated.

Degree of protection:

IP20.

Loading capacity:

800 Kg of static loading (with adjustable feet).



Main parts:

Nr:	Specification:	QTY:	Material:	Finish:
1	Top cover	1 pcs	SPCC cold rolled steel t1.2 mm	Powder coated
2	Mounting profile	4 pcs	Aluminum deposited zinc plate t2.0 mm	Material
3	Mounting angle	4-6 pcs ¹	Aluminum deposited zinc plate t1.5 mm	Material
4	Lock	2 pcs	---	Black
5	Front door	1 pcs	Toughened glass 5 mm / SPCC t 1.2 mm	Powder coated
6	2" heavy duty castor	4 pcs	---	---
7	Frame	2 pcs	SPCC cold rolled steel t1.2	Powder coated
8	Side panel	2 pcs	SPCC cold rolled steel t1.2	Powder coated
9	Rear door	1 pcs	SPCC cold rolled steel t1.2	Powder coated
10	Bottom panel	1 pcs	SPCC cold rolled steel t1.2	Powder coated

1) Cabinets lower than 32U will only have 4 pcs of mounting angles.

Fan module:



Single fan unit.

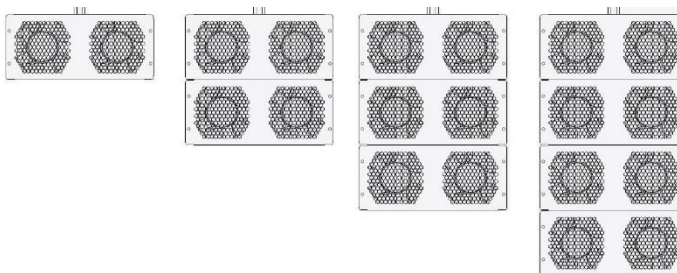


Connection of two fan modules.



Inside view.

The fan unit is modular and used for all models of cabinets making it a scalable cooling system.



Different module configurations

The fan units are conveniently assembled from the outside.

Specifications:

Value:

Connection:	IEC 60320 C14
Fan units:	2 x 120mm ballbearing
Voltage:	230 V
Power consumption:	30 W
Soundlevel:	51 dBA
Air flow:	132 CFM
Material:	SPCC steel
Available models:	
19-FT64	1 x fan module
19-FT20	2 x fan modules and power cable

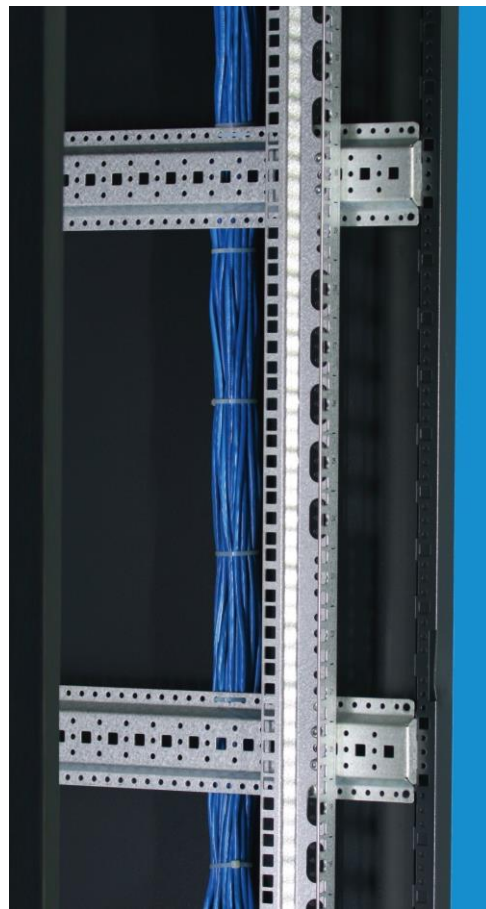
Mounting profiles:

Manufactured and assembled in high precision and durable materials. A guaranteed fit and no out of shape after installing equipment.

Made of a zinc alloy with high conductive properties which facilitates an equipotential installation and operation. A prerequisite when preventing electrostatic damage.

Elliptic holes for cables to go through and holes both vertical and horizontal for binding wires. Making the cable management easy.

Clear U marks that are visible after installation and the possibility to adjust the depth between the mounting profiles in front and back in 25 mm increments. A possibility to handle the common problems that may occur during installation.



Easy cable management.



Material that prevent electrostatic damage.



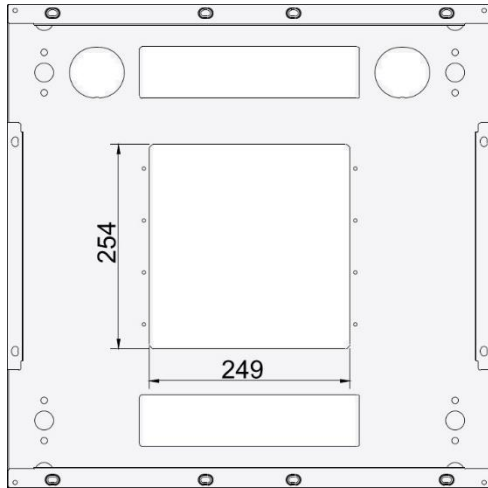
Visible U marks after installation.

Cable entries:

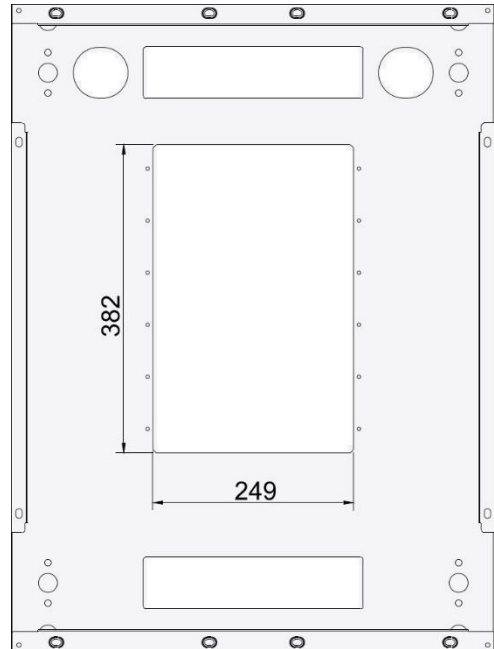
Step-wise openable cable glands for up to 1000 network cables.

Separate openings for power- and signal cables.

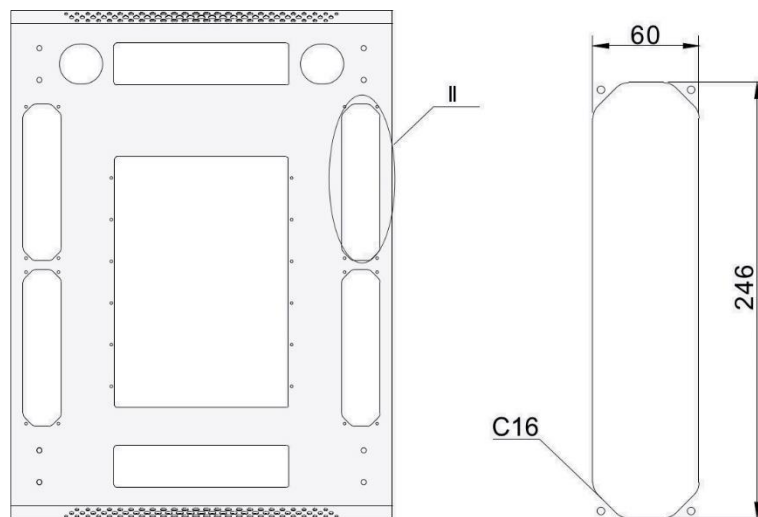
All openings have rounded corners to not harm the cables.



Bottom view 600 mm depth



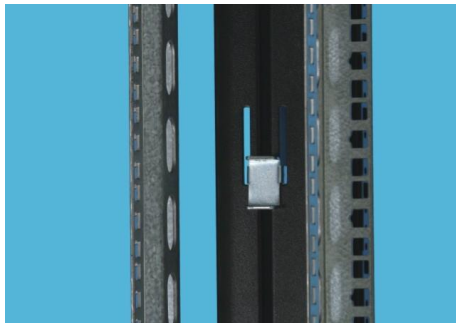
Bottom view 800 mm depth



Top view with cable entries and fan entry.

Baying knits:

Use baying knits to connect two or more cabinets. Just remove the side panels and attach the baying knits without any tools needed.



Two cabinets connected.

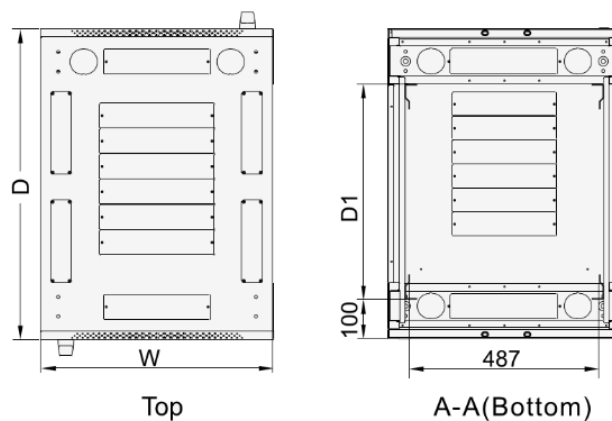


Baying knits.

Available models:

19-MS01	4 x Baying knits
---------	------------------

Dimensions:



Model nr.	Unit	Width	Depth	D1	Height
19-G6618GP	18 U	600 mm	600 mm	361 mm	988 mm
19-G6818GP	18 U	600 mm	800 mm	561 mm	988 mm
19-G6622GP	22 U	600 mm	600 mm	361 mm	1166 mm
19-G6822GP	22 U	600 mm	800 mm	561 mm	1166 mm
19-G6627GP	27 U	600 mm	600 mm	361 mm	1388 mm
19-G6827GP	27 U	600 mm	800 mm	561 mm	1388 mm
19-G6632GP	32 U	600 mm	600 mm	361 mm	1610 mm
19-G6832GP	32 U	600 mm	800 mm	561 mm	1610 mm
19-G6637GP	37 U	600 mm	600 mm	361 mm	1833 mm
19-G6837GP	37 U	600 mm	800 mm	561 mm	1833 mm
19-G6642GP	42 U	600 mm	600 mm	361 mm	2055 mm
19-G6842GP	42 U	600 mm	800 mm	561 mm	2055 mm

Suitable accessories:
Fans:

19-FT64	1 x fan module
19-FT20	2 x fan modules and power cable

Shelves:

19-FH09G	2U cantilever shelf with mounting ears in front. 275mm depth. Max 15Kg load.
19-FH10G	2U cantilever shelf with mounting ears in front. 475mm depth. Max 15Kg load.
19-FH16G	1U cantilever shelf with mounting ears in front. 267mm depth. Max 15Kg load.
19-FH17G	1U cantilever shelf with mounting ears in front. 381mm depth. Max 15Kg load.
19-FH18G	1U cantilever shelf with mounting ears in front. 381mm depth. Max 15Kg load.
19-FH20G	2U cantilever shelf with mounting ears in front. 381mm depth. Max 15Kg load.
19-FH38G	1U cantilever shelf with mounting ears in back and front. 366mm depth. Max 60Kg load.
19-FH46G	2U cantilever shelf with mounting ears in back and front. 366mm depth. Max 60Kg load.
19-FH48G	1U cantilever shelf with mounting ears in back and front. 566mm depth. Max 60Kg load.
19-FH66G	1U fixed shelf for side mounting. 275mm depth. Max 60Kg load.
19-FH68G	1U fixed shelf for side mounting. 350mm depth. Max 60Kg load.
19-FH76G	1U cantilever shelf with mounting ears in back and front. 366mm depth. Max 60Kg load.
19-FH78G	1U cantilever shelf with mounting ears in back and front. 566mm depth. Max 60Kg load.
19-SFH66G	1U fixed shelf for side mounting. 275mm depth. Max 100Kg load.
19-SFH68G	1U fixed shelf for side mounting. 350mm depth. Max 100Kg load.
19-SFH78G	1U cantilever shelf with mounting ears in back and front. 566mm depth. Max 100Kg load.
19-UH66G	1U sliding shelf with mounting ears in back and front. 366mm depth. Max 20Kg load.
19-UH88G	1U sliding shelf with mounting ears in back and front. 566mm depth. Max 20Kg load.

Cable management:

19-CM01	1U plastic cable management, 5 loops.
19-CM02	1U metal cable management, 4 loops.
19-SR	1U cable tie panel.
19-MCM1	1U finger duct cable management.
19-MCM2	2U finger duct cable management.

Blanking panels:

19-TP01	1U metal blanking panel.
19-TP02	2U metal blanking panel.
19-TP03	3U metal blanking panel.
19-TP04	4U metal blanking panel.
19-TP05	1U fast mounted plastic blanking panel, pack of 2.

Others:

19-HJ01	Wheel without lock.
19-HJ02	Wheel with lock.
19-M610	Phillips screws with cage nuts, pack of 10.
19-M611	Combined Phillips and slot screws with cage nuts, pack of 10.
19-M612	Allen screw with cage nuts, pack of 10.
19-MS01	4 x Baying knits

