



PRODUCT SHEET

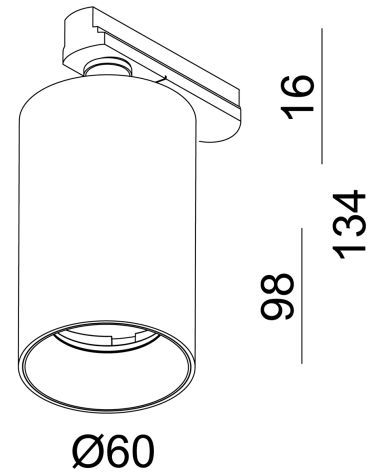
Tania Mini GU10

Art. no: 3556-2-3



Lighting Solutions

Tania Mini GU10



Tania Mini is a small and modern spotlight. Choose between 1- or 3-circuit connection. GU10 bulb are not included. Gold front ring can be bought separately. L90mm Ø60mm (GU10).



SPECIFICATIONS

Lightsource Type:	Lightsource not included
Max. Power [W]:	7,5
Socket / Cap-Base:	GU10
Lens (Diffuser):	None
Dimming:	Light bulb dependent
System Voltage [V]:	230V 50Hz
Connection:	Track 1-Circuit
Mounting:	Ceiling, Track
Color:	White
Length [mm]:	98mm
Width [mm]:	60mm