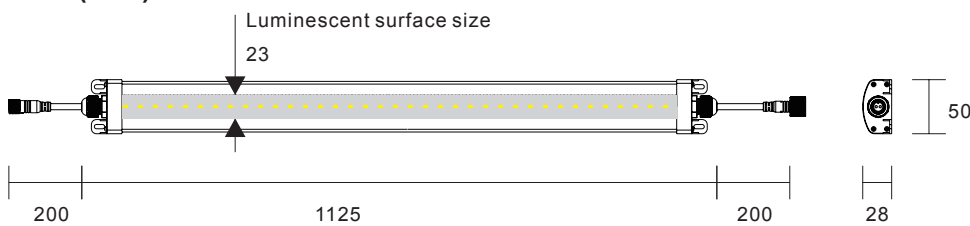


IP65 Plant Grow Light



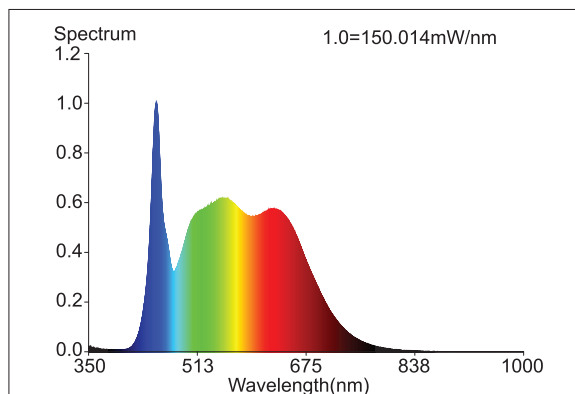
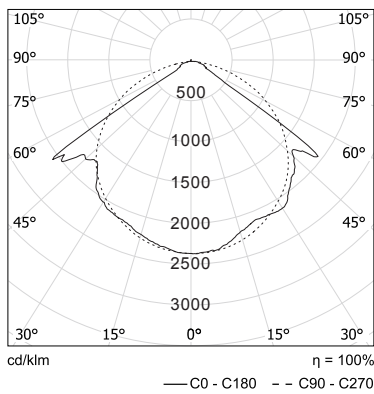
Housing: polycarbonate, impact-resistant, IK05.
Lamp Cover: polycarbonate with integrated LED unit.
Seals: Age-resistant silicone seals.
Chip: LUMILEDS high power LED, integrated LED converter.
Installation: Suitable for ceilings, wall and pendant mounting.
Application: Planting workshops, 1:1 fluorescent light exchange.

Sizes(mm):



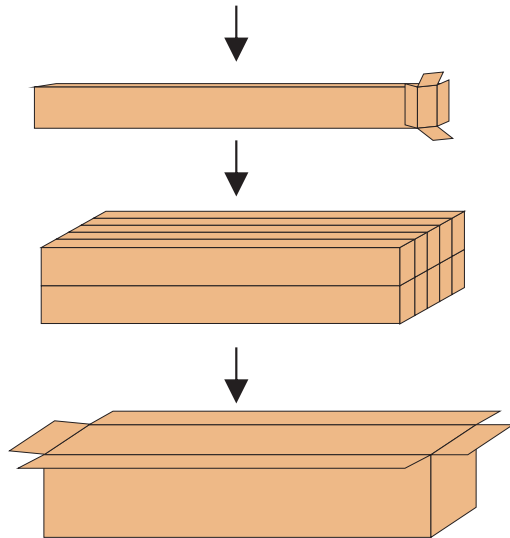
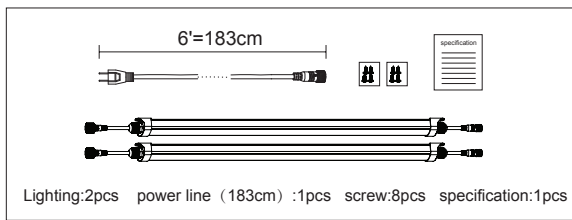
Light Distribution:

50W 5000K



Packaging Information

Packing List



2FT Packing Details

Net Weight (g)	303
Inside the box number (pcs)	10
Packing Quantity (pcs)	20
Package Size (mm)	610*85*60
Carton size (mm)	630*335*190

4FT Packing Details

Net Weight (g)	608
Inside the box number (pcs)	10
Packing Quantity (pcs)	20
Package Size (mm)	1160*85*60
Carton size (mm)	1180*335*190

Installation Steps

Step1: Take out the lamp from the package and unscrew the anti-static cap at the end of the lamp;



Step2: Select the appropriate distance, install and fix the lamps;



Step3: connect the male and female ends of the lamp in sequence



Step4: Take out the power cord and connect it to the male end of the first lamp. Power on after making sure safety.

