

POMA | 1-phase / 50Hz



With a light fibre-reinforced plastic casing and head cover, the pump is abrasion and corrosion resistant, minimizing maintenance.



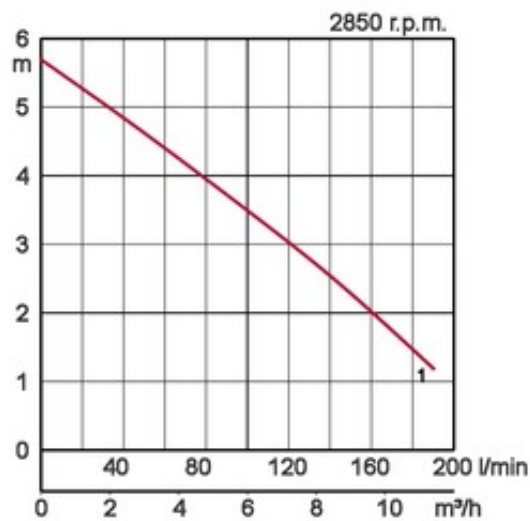
Downloads

[1SEW-EN \(5.73 MB\)](#)

[sew-POMA-EN \(1.79 MB\)](#)

[sew-1ph2-EN \(5.18 MB\)](#)

Ydelseskurve



Specifikationer

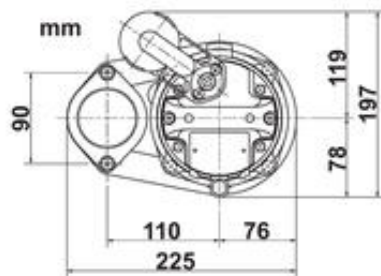
Model	Colour code curve	Bore mm	Power output kW	Phases	r.p.m.	Head max. m	Capacity max. l/min	Starting method	free standing	Impeller passage mm
POMA	1	50	0,15	1	2850	5,7	190	condensor	6,6	35

Materiale

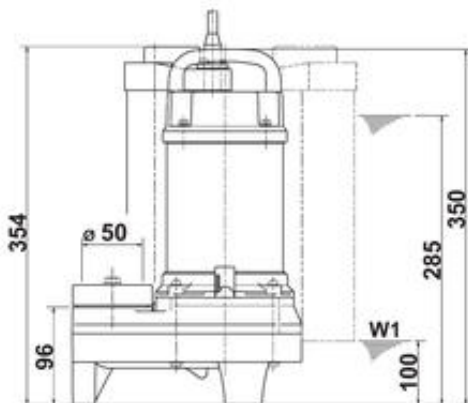
Discharge bore mm	50mm
Pumping Fluid Temperature	0-40°C
Type of Fluid	Domestic sewage
Impeller	Vortex impeller
Compo- nents Shaft Seal	Double mechanical seal

	Bearings	Shielded ball bearings
Pump	Impeller	Glass fibre reinforced plastic
	Upper casing	Glass fibre reinforced plastic
	Material	
	Lower casing	Plastic
	Shaft Seal	Silicon carbide in oil bath
	Type, Poles	Induction motor, 2 poles, IP68
	Lubrication	Turbine oil (ISO VG32)
	Insulation	Insulation class E
Motor	Motor Protector (built-in)	Circle thermal cut-out
	Phase / Voltage	Single phase 230V / 110V / 50Hz
	Casing	Stainless steel EN-X5CrNi18-10
	Material	
	Shaft	Stainless steel EN-X6Cr13
	Cable	Rubber, 10m H07RN-F
Discharge Connection		Inside thread, flange

Dimensions in mm:



POMA



W1: lowest running water level

Model
POMA

Please mind: discharge bend, duck foot bend and stand set are accessories and must be ordered separately

Anvendelse

Training for the fishery industry

Training for future fishery industry experts

Læs mere