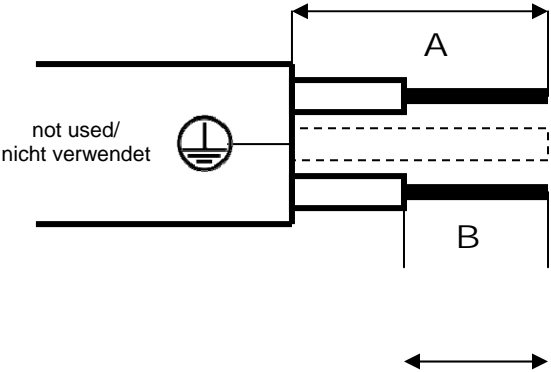
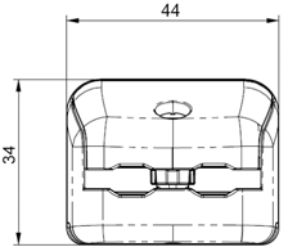
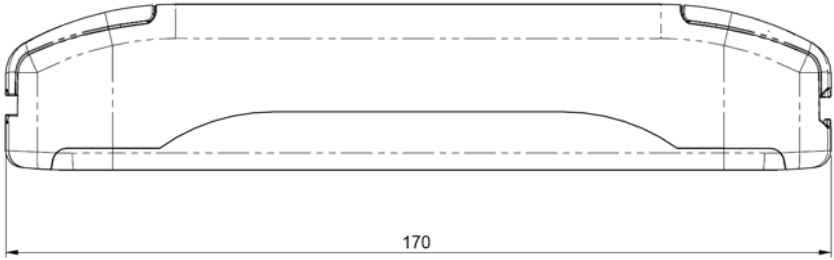


Wire stripping / Abisolierung der Anschlussleitung:

cable sheath / Kabelmantel = 14 mm [A]
conductor / Leitungsadern = 8 mm [B]



Geometry / Abmessungen:



Product label / Geräteaufdruck:

HALOTRONIC®
HTL 105/230-240
 Electronic transformer 35-105 W
 Dimmable with leading and trailing edge phase control

$t_c = 80^\circ\text{C max}$

Lamp[W]	U _a [W]	I _a [A]	f _s [Hz]	λ	t _a [°C]
35-105	230-240	0.16-0.5	0; 50-60	>0.95	50

Safety: EN 61347
RFI: EN 55015

max. 12 A

Suitable for emergency installation
Range of battery voltage: 176 to 275 V

SELV
Made in Italy by OSRAM

CE

SEC 11.8 V ~ max. 2 m

HALOTRONIC®
HTL 225/230-240
 Electronic transformer 50-225 W
 Dimmable with leading and trailing edge phase control

$t_c = 85^\circ\text{C max}$

Lamp[W]	U _a [W]	I _a [A]	f _s [Hz]	λ	t _a [°C]
50-225	230-240	0.25-1	0; 50-60	>0.95	50

Safety: EN 61347
RFI: EN 55015

max. 16 A

Suitable for emergency installation
Range of battery voltage: 176 to 275 V

SELV
Made in Italy by OSRAM

CE

SEC 11.8 V ~ max. 2 m

Wiring with dimmer / Verdrahtung mit Dimmer:

