

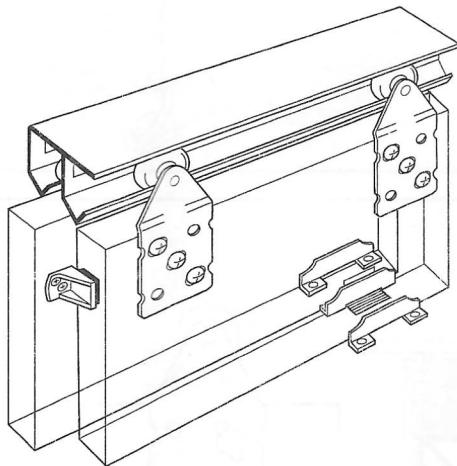
**FITTING INSTRUCTIONS - NOTICE DE POSE - MONTAGE HANDLEIDING - MONTAGEANLEITUNG
ISTRUZIONI DI MONTAGGIO - INSTRUCCIONES DE MONTAJE**

Warranty. This product is covered by a 10 year manufacturer's warranty. Please see the P C Henderson website for terms and conditions.

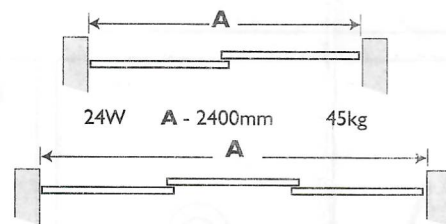
WATCH THE INSTALLATION VIDEO

Visit: www.pchenderson.com/double-top-installation

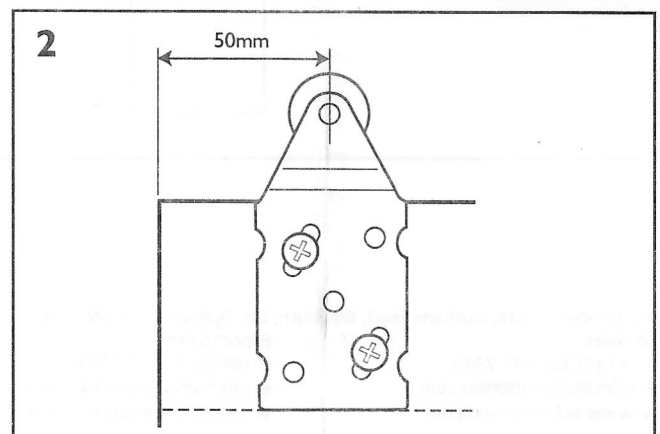
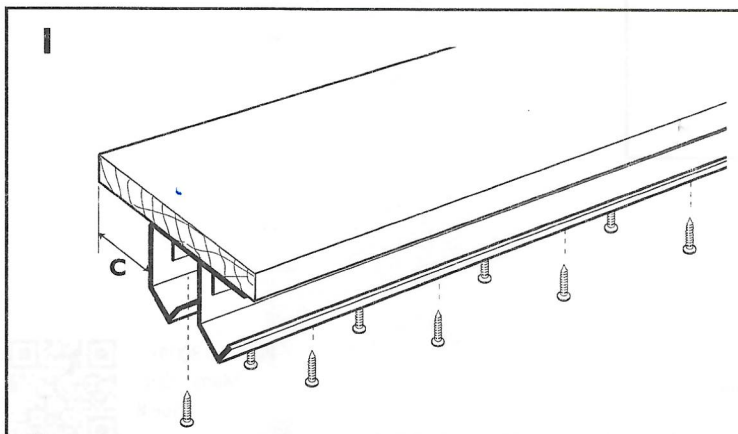
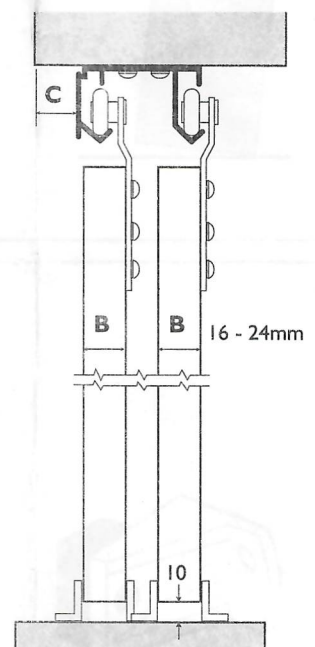
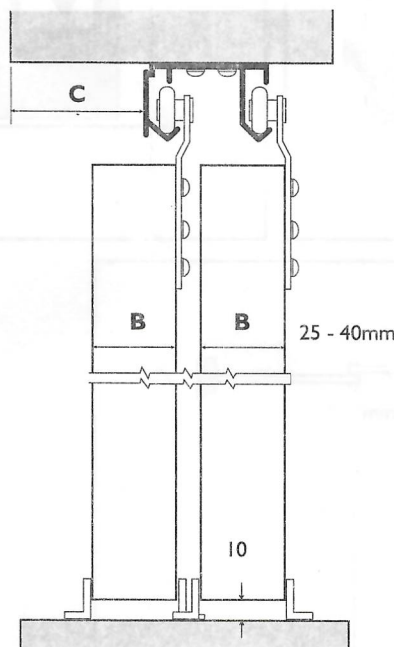
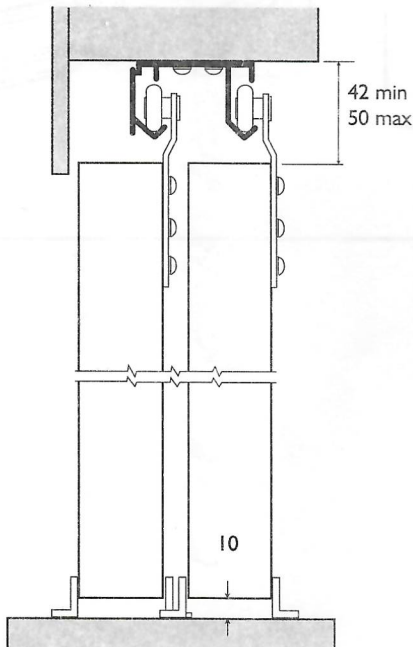
Or scan the QR code using your phone

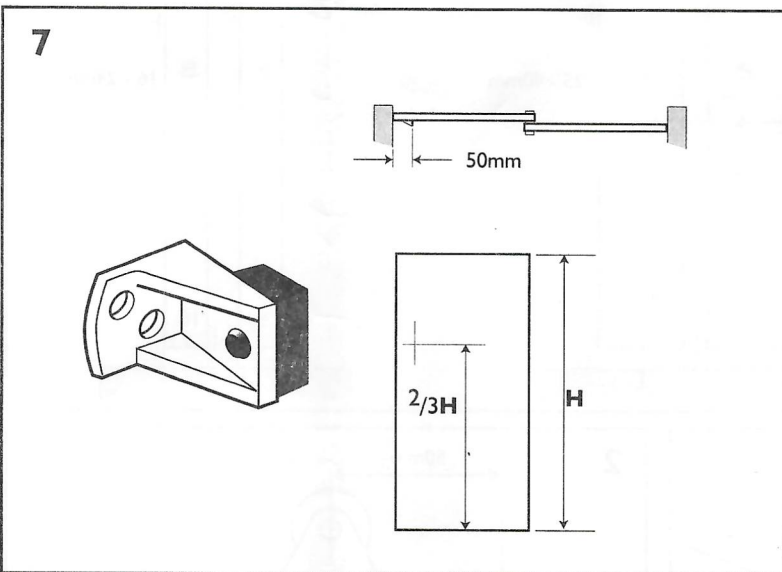
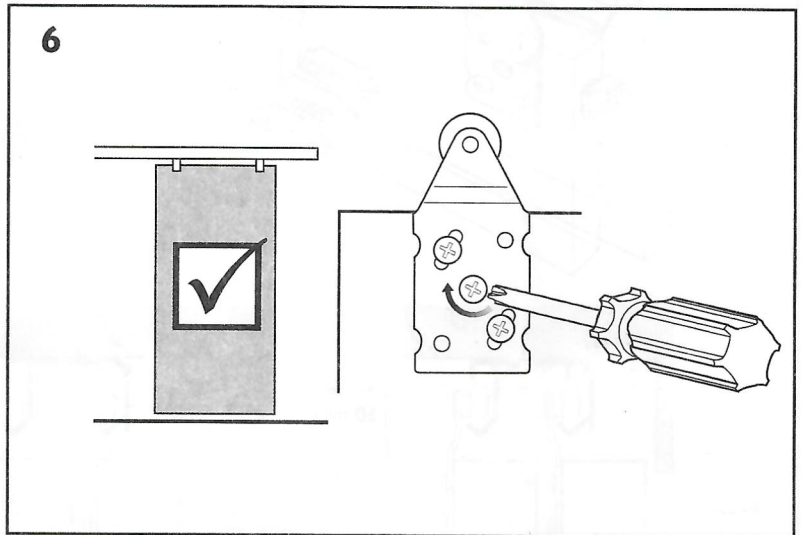
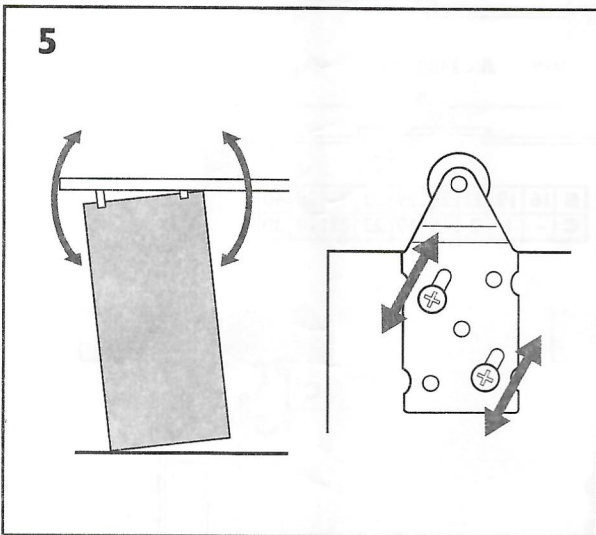
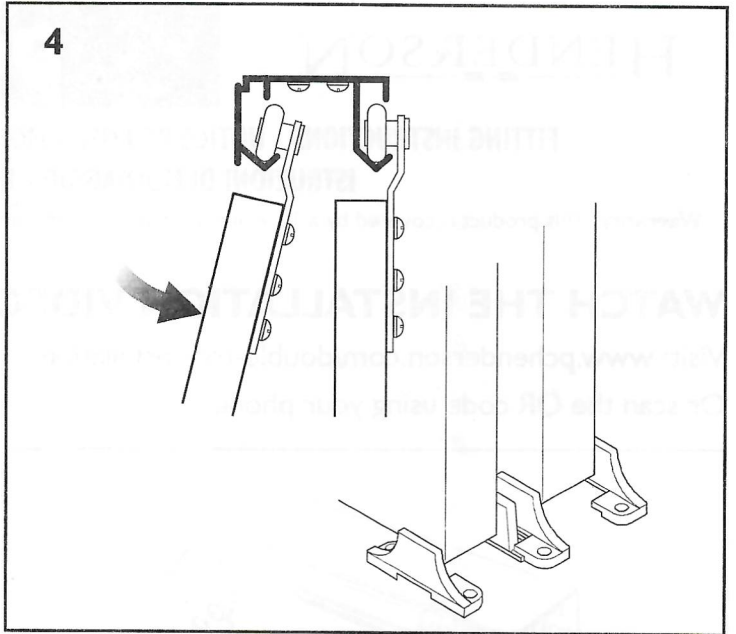
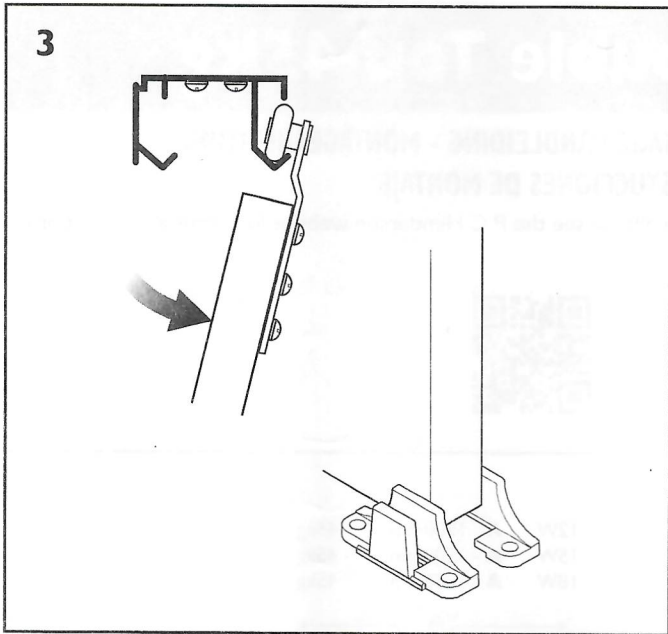


12W A - 1200mm 45kg
15W A - 1500mm 45kg
18W A - 1800mm 45kg



B	16	19	22	25	29	32	35	38	40
C	-	1	2	15	19	22	25	28	30





P C Henderson Ltd, Durham Road, Bowburn, Co. Durham, DH6 5NG, UK
 UK Sales
 t: +44 (0) 191 377 7345
 e: sales@pchenderson.com
 w: www.pchenderson.com

Export Sales
 t: +44 (0) 191 377 7346
 e: international@pchenderson.com
 w: export.pchenderson.com

Part No: 300937
 March 2020
 Issue 8



UK Registered Address: P C Henderson Ltd, Durham Road, Bowburn, Co. Durham, DH6 5NG
 Republic of Ireland Registered Address: P C Henderson Ltd, Westlink Industrial Estate, Kylemore Road, Dublin 10, Ireland
 Holland Registered Address: Henderson Nederland BV, Rootven 14, 5531 MB, Bladel