

# LAUFEN INSTALLATION SYSTEM

## CWN1

### Concealed frame with cistern for wallhung WC and for shower toilet

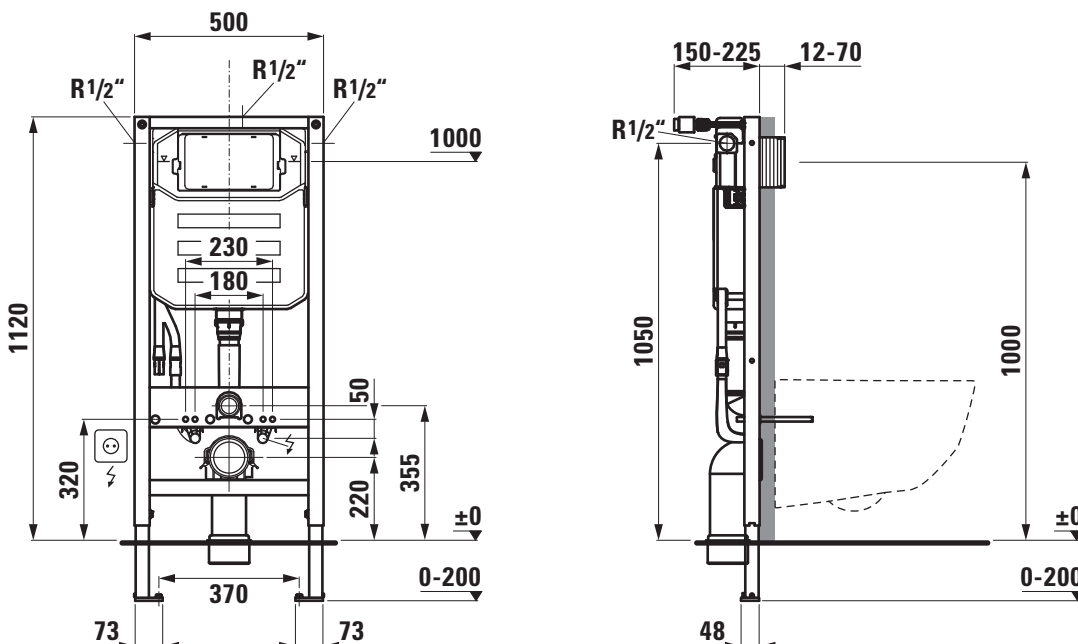
89466.7



#### TECHNICAL DATA

Order no.	89466.7	Flow pressure range	0.5-10 bar
Certified to	EN 14055, Sintef	Water temperature	max. 25°C
matching for	All LAUFEN wallhung toilets, also suitable for LAUFEN wallhung shower toilets	Tank	Thickness 110 mm, material HDPE
Specifications	For mounting in front of a solid or drywall construction, self-supporting, with frontal actuator, with water condensation insulation. Dual-Flush 4.5/3-l (6/3-l, 4/2-l-flush). Flush valve with silicon seal. Fill valve with anti-siphon system.	Installation depth	150-225 mm
Other specifications	Galvanized leg supports, rotatable, brake system, height-adjustable 0-200 mm. Supporting frame made of steel profiles. Frame with drilling holes for fastening in wood frame constructions. Capable to resist 400 kg	Weight	18,0 kg
Water inlet	Internal water supply, side left, side right or rear R 1/2", brass, matching for Pex-Pipe-System Ø15 / Ø16	Mounting acc. incl.	Fastening set to floor and wall, WC connection set, tiling set, protection caps (for WC connection pipes) and protection tubes for M12 threaded rods, angle valve with PEX adapter Ø15 and Ø16. Additional wall fastening, order no. 89863.6
Outlet	WC outlet bend, HDPE, diameter 90 mm with adaptor 110 mm	Accessories excl.	Actuator plates dual flush, order no. 89566.1, 89566.2 (stainless steel) Support bar for handle and holding systems, order no. 89266.7, 89266.8
		Mounting information	Please note the necessary wall thickness of 80 mm in case of pre-wall installation. Height from finished floor to top of WC pre-set to 400 mm, adjustable between 390-450 mm. System installation is also possible between modular walls (plasterboard).
		Colours	Surface powder coated blue

#### TECHNICAL DRAWINGS / S 1 : 20



# LAUFEN INSTALLATION SYSTEM

## AW1 Actuator plate, dual flush

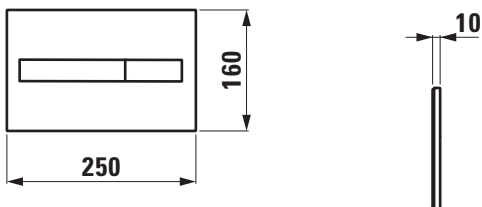
89566.1



### TECHNICAL DATA

Order no.	89566.1	Mounting acc. incl.	Support frame
Certified to	ISO 9227:2006, UNE 19.703:2003 (ap.9.2.3)		Fastening set
matching for	All LAUFEN concealed cisterns	Colours	000 – White
Specification	Frontal activation, actuation force below 25 N.		004 – Chrome
Quality material	Plastic		007 – Chrom matt
Weight	0,35 kg		716 – Black matt

### TECHNICAL DRAWINGS / S 1 : 10



# LAUFEN INSTALLATION SYSTEM

## AW2 Inox actuator plate, dual flush

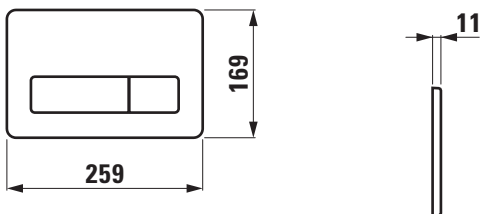
### 89566.2



#### TECHNICAL DATA

Order no.	89566.2	Mounting acc. incl.	Support frame
Certified to	ISO 9227:2006, UNE 19.703:2003 (ap.9.2.3)		Fastening set
matching for	All LAUFEN concealed cisterns	Colours	000 – Stainless steel
Specification	Frontal activation, vandal proof, actuation force below 25 N.		
Quality material	Stainless steel		
Weight	0,75 kg		

#### TECHNICAL DRAWINGS / S 1 : 10



# LAUFEN INSTALLATION SYSTEM

## CH1

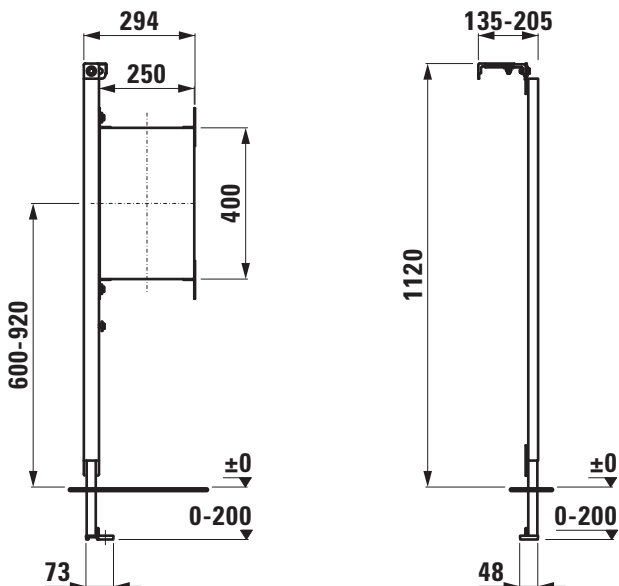
### Support bar for handle and holding systems 89266.7



#### TECHNICAL DATA

Order no.	89266.7	Other specifications	Galvanized leg support, height-adjustable 0-200 mm.
Certified to	DIN 18024-2, (Support bar ISO 9227, Wood Panel EN 13986)		Support bar made of steel profile.
matching for	Concealed frame for wallhung WC CW1, order no. 89466.0, 89466.5 CW2, order no. 89466.1, 89466.6 CW3, order no. 89466.2 CWN1, order no. 89466.7 Concealed frame for wallhung bidet CB1, order no. 89266.0,		Capable to resist 100 kg of vertical force and 35 kg of horizontal force.
Specifications	For mounting in front of a solid or drywall construction and also assembled to left side of LIS CW1, CW2, CW3, CWN1, CB1 (WC / Bidet), self-supporting. The frame includes a wood panel made of pitch pine plywood BFU100, adjustable in height between 600-920 mm	Installation depth	135-205 mm
		Weight	5,0 kg
		Mounting acc. incl.	Extensible fastening bracket to the wall with fixing kit, fastening set to floor and wall, 2 screws and 2 washers for fixing the frame to the side of the LIS (only concealed frame for wallhung WC or wallhung bidet), 5 screws for installation between modular walls.
		Mounting information	Please note the necessary wall thickness of 80 mm in case of pre-wall installation. Height from finished floor to top of the bar recommended to 850 mm, adjustable to different heights. System installation is also possible between modular walls (plasterboard).
		Colours	Surface powder coated blue (support bar)

#### TECHNICAL DRAWINGS / S 1 : 20



# LAUFEN INSTALLATION SYSTEM

## CH2

### Support bar for handle and holding systems

#### 89266.8



#### TECHNICAL DATA

Order no.	89266.8	Other specifications	Galvanized leg support, height-adjustable 0-200 mm. Support bar made of steel profile. Capable to resist 100 kg of vertical force and 35 kg of horizontal force.
Certified to	DIN 18024-2, (Support bar ISO 9227, Wood Panel EN 13986)	Installation depth	135-205 mm
matching for	Concealed frame for wallhung WC CW1, order no. 89466.0, 89466.5 CW2, order no. 89466.1, 89466.6 CW3, order no. 89466.2 CWN1, order no. 89466.7 Concealed frame for wallhung bidet CB1, order no. 89266.0,	Weight	5,0 kg
Specifications	For mounting in front of a solid or drywall construction and also assembled to left side of LIS CW1, CW2, CW3, CWN1, CB1 (WC / Bidet), self-supporting. The frame includes a wood panel made of pitch pine plywood BFU100, adjustable in height between 600-920 mm	Mounting acc. incl.	Extensible fastening bracket to the wall with fixing kit, fastening set to floor and wall, 2 screws and 2 washers for fixing the frame to the side of the LIS (only concealed frame for wallhung WC or wallhung bidet), 5 screws for installation between modular walls.
		Mounting information	Please note the necessary wall thickness of 80 mm in case of pre-wall installation. Height from finished floor to top of the bar recommended to 850 mm, adjustable to different heights. System installation is also possible between modular walls (plasterboard).
		Colours	Surface powder coated blue (support bar)

#### TECHNICAL DRAWINGS / S 1 : 20

