

# BCP-8000

## Portable Laser Barcode DATA Collector

BCP-8000 is a battery-operated portable data collector with look-up function. Equipped with a high quality laser engine, the ergonomic-built data terminal offers users with efficiency and comfort, and is ideal for long-time use. The high capacity Lithium-Ion battery guarantees at least 24 hours of operating time.

In addition, BCP-8000 provides a user-friendly Job Generator utility. Users don't need to create applications by writing the complicate program source code; by simple steps configurations can the applications be completed. That ensures the task management become distinct and effortless.



### Feature

Light Weight

Vivid LCD 128 x 128

Job Generator

RS-232 USB

DATA Look-Up

DATA-Loss Protection

1700mA Battery



Light-Weight and ergonomic design



Vivid LCD Display with clear blue backlight

- Ergonomic design ideal for long-time operation
- High quality laser engine to ensure accurate barcode reading
- Ideal for Inventory, Stocktaking
- Vivid LCD Display with clear blue backlight
- A cradle offer communication and recharge via RS-232 or USB cables.
- Convenient Job Generator Utility for Task and Data Management
- Long-time Battery Capacity (1700 mAh)
- Look-up function provides on-site stock checking, updating and editing

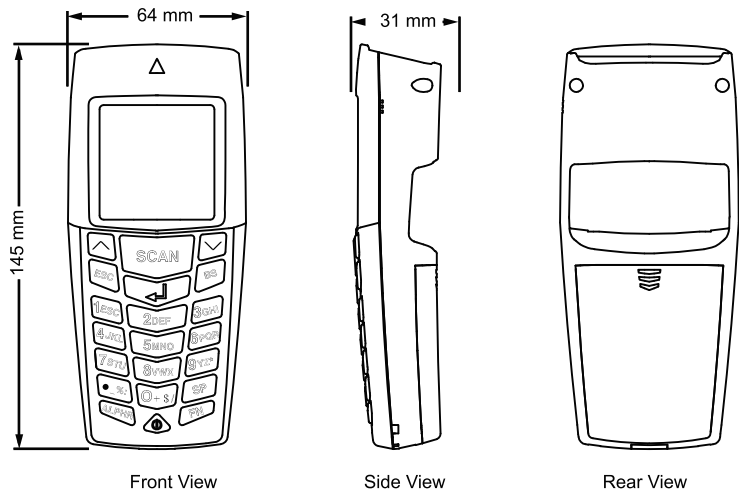
# BCP-8000

## Portable Laser Barcode DATA Collector

### Specification

<b>System</b>	
CPU	ST STM32 32 bit CPU, with 512K Program flash RAM
Memory	2M Byte SRAM (1MB lookup table)
	4M Byte Flash RAM (For Font)
Data Capacity	1 MB or 35,000 records
Operating System Support	Windows-base (2000/XP/Vista/Windows 7)
Programming Language	Windows-base Application Generator
Data Management	Job Generator Software
<b>Display</b>	
Display	128x128 graphic dots FSTN LCD display with blue back light
Keypad	21 rubber key including alphanumeric keys, function keys, and scan trigger key
Buzzer	Software programmable audio indication, 1KHz to 4KHz, low power transducer type.
LED	Dual Color (Red/Green) LED Indicator
<b>Connectivity</b>	
Interface	Standard RS-232 & USB virtual RS-232
Transmission Rate (RS-232)	9600bps ~ 115200bps
<b>Scanner</b>	
Scanner Type	Visible Laser diode operating at 660~640 nm
Scan speed	120~80 scans per second
Minimum print contrast	20% absolute dark/light reflectance at 670 nm
Depth of field	5~65 cm, depends on barcode resolution
<b>Others</b>	
Power	Rechargeable Lithium-ion Battery Pack (1700 mAH/ 3.7V)
Operating Time	Over 30 hours and more than 28,000 scans (LCD Backlight Off)
Material	ABS, Black
Shock resistance	1.2m drop onto concrete
Compliance	FCC / CE / WEEE / RoHS
Weight	175 g
Dimension	145mm (L) x 64mm (W) x 31mm (H)
Operating Temperature	0°C~45°C
Operating Humidity	10% ~ 85% RH non-condensing
Storage Temperature	-10°C~ 45°C
Storage Humidity	5% ~ 85% RH non-condensing

### Dimension



ISO-9002 Certified



Beyond Mere POS

<http://www.famotech.com.tw>

**TYSSO**®