



MASTER LEDspot ExpertColor AR111



MAS ExpertColor 14.8-75W 940 AR111 45D

MASTER LEDspot LV ExpertColor creates a warm and comfortable ambience for hospitality venues, homes and restaurants. It creates such an ambience with superior lighting that has a customized spectrum, high CRI, and deep dimming feature. The result? A beautiful lighting experience. What's more, the innovative, trimless lens design will suit almost any interior decor with its clean and neat look. In addition, you can take advantage of the full ExpertColor family, which also includes LEDspot MV and LEDspot Par lamps.

Product data

General information	
Cap-Base	G53 [G53]
CE mark	Yes
EU RoHS compliant	Yes
Nominal Lifetime (Nom)	40000 h
Switching Cycle	50000
Flux measurement reference	Narrow Cone
Tier	MASTER
Light technical	
Color Code	940 [CCT of 4000K]
Beam Angle (Nom)	45°
Luminous Flux (Nom)	950 lm
Luminous Intensity (Nom)	1400 cd
Color Designation	Cool White (CW)
Correlated Color Temperature (Nom)	4000 K
Luminous Efficacy (rated) (Nom)	64.00 lm/W
Color Consistency	<4

Color Rendering Index (Nom)	95
LLMF At End Of Nominal Lifetime (Nom)	70 %
Luminous Flux in 90° Cone (Rated)	950 lm
Operating and electrical	
Input Frequency	50 to 60 Hz
Power (Nom)	14.8 W
Lamp Current (Nom)	1500 mA
Wattage Equivalent	75 W
Starting Time (Nom)	0.5 s
Warm Up Time to 60% Light (Nom)	0.5 s
Power Factor (Nom)	0.7
Voltage (Nom)	ac electronic 12 V
Temperature	
T-Case Maximum (Nom)	85 °C

MASTER LEDspot ExpertColor AR111

Controls and dimming

Dimmable	Only with specific dimmers
----------	----------------------------

Mechanical and housing

Bulb Finish	Clear
Bulb Shape	AR111

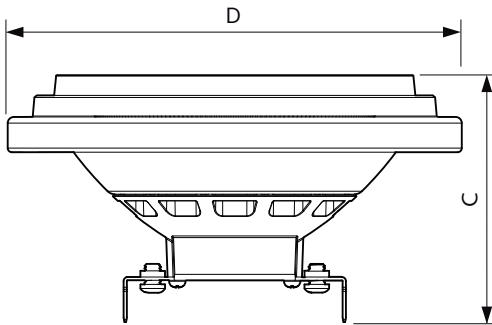
Approval and application

Energy Efficiency Class	G
Suitable For Accent Lighting	Yes
Energy Consumption kWh/1000 h	15 kWh
EPREL Registration Number	648243

Product data

Full product code	871951433389500
Order product name	MAS ExpertColor 14.8-75W 940 AR111 45D
EAN/UPC - Product	8719514333895
Order code	929003043102
Numerator - Quantity Per Pack	1
Numerator - Packs per outer box	6
Material Nr. (12NC)	929003043102
Net Weight (Piece)	0.160 kg

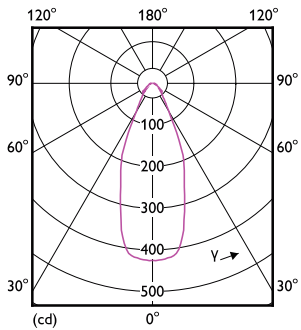
Dimensional drawing



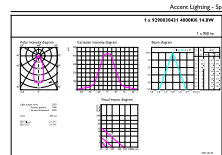
MAS ExpertColor 14.8-75W 940 AR111 45D

Product	D	C
MAS ExpertColor 14.8-75W 940 AR111 45D	111 mm	61 mm

Photometric data



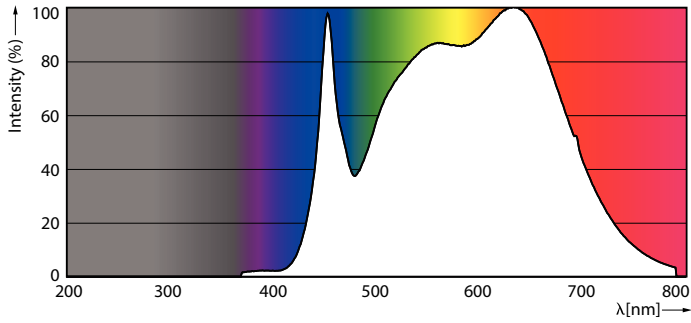
LEDspots MAS SLR 14,8W AR111 G53 940 45D-LDD LDD



LEDspots MAS SLR 14,8W AR111 G53 940 45D-ADL ADL

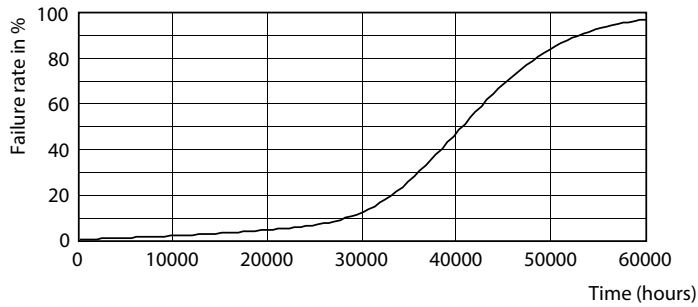
MASTER LEDspot ExpertColor AR111

Photometric data



LEDspots MAS SLR 14,8W AR111 G53 940 24D-POC POC

Lifetime



Life Expectancy Diagram



Lumen Maintenance Diagram

