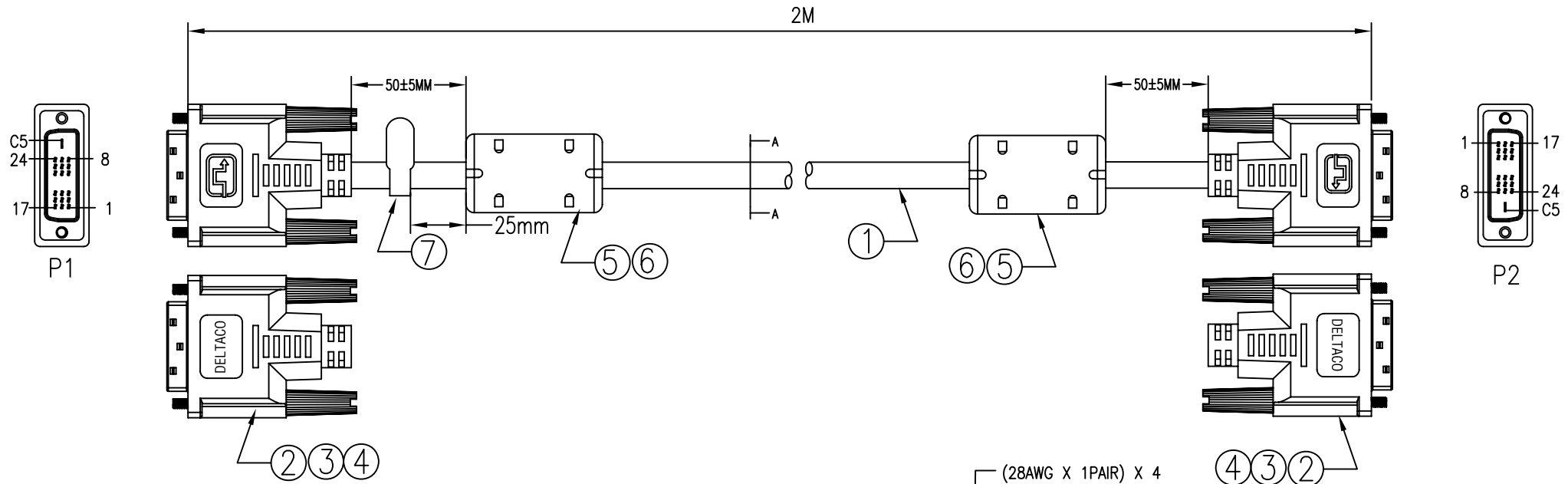
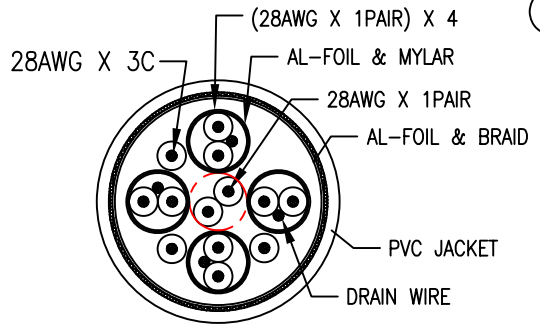
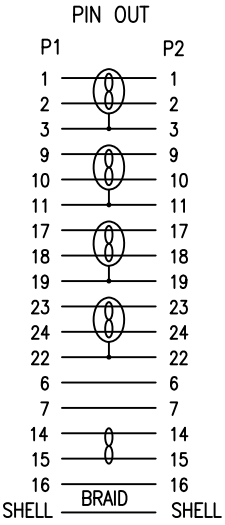


BY	CHK	REVISION RECORD MODIFICATIONS	DATE	REV.
		INITIAL RELEASE	2008.11.03	A.0



- NOTES:
- ELECTRICAL PROPERTIES:
 - 100% OPEN AND SHORT TEST
 - CONDUCTOR RESISTANCE: 5 OHMS
 - INSULATION RESISTANCE: 10 MEGOHMS
 - HI-POT: DC300V/0.01S
 - 100% HDTV, BLUE RAY DVD TEST(1080P:UP TO 7M); (1080I: 10M,15M)
 - ALL CABLE PRODUCTION PROCESS ARE CONTROLLED BY ATC TEST DEVICE.
 - ALL MATERIAL BE RoHS COMPLIANT.



⑦	TAG	1PCS	DELTACO TAG
⑥	CORE MOLD	2PCS	BLACK PVC
⑤	CORE	2PCS	OD*ID*L: 14.3*9.0*28.5mm
④	SCREW	2PCS	#4-40 UNC, HOOD MOLDED: BLACK PVC
③	DVI HOOD	2PCS	BLACK PVC
②	DVI(18+1)M	2PCS	GOLD PLATED SHELL
①	CABLE	1PCS	(28AWG*1P+D+FAM)*4+28AWG*1P+28AWG*3C +AEB OD:7.3mm BLACK PVC JACKET
NO.	PARTS NAME	Q'TY	SPECIFICATION

APPROVED	CHECKED	DRAWN	CUSTOMER:	
			ITEM NO.	VE011-A
			DRAW NO.	
			UNIT	mm
			SCALE	NONE

DESCRIPTION :
DVI(18+1)/M-DVI(18+1)/M

